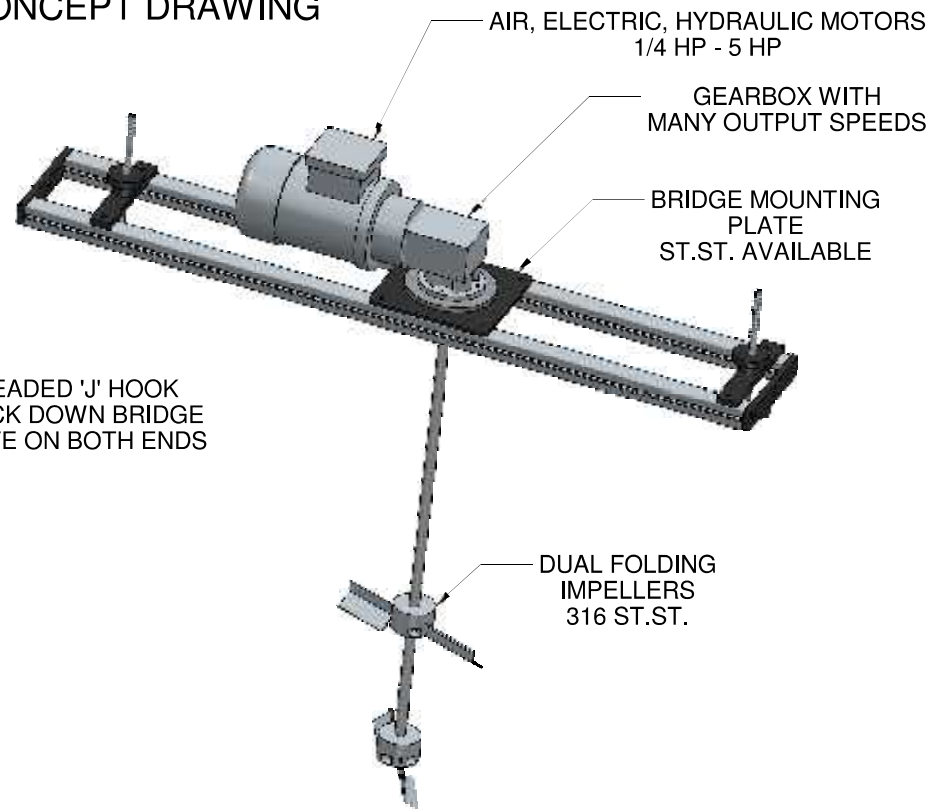
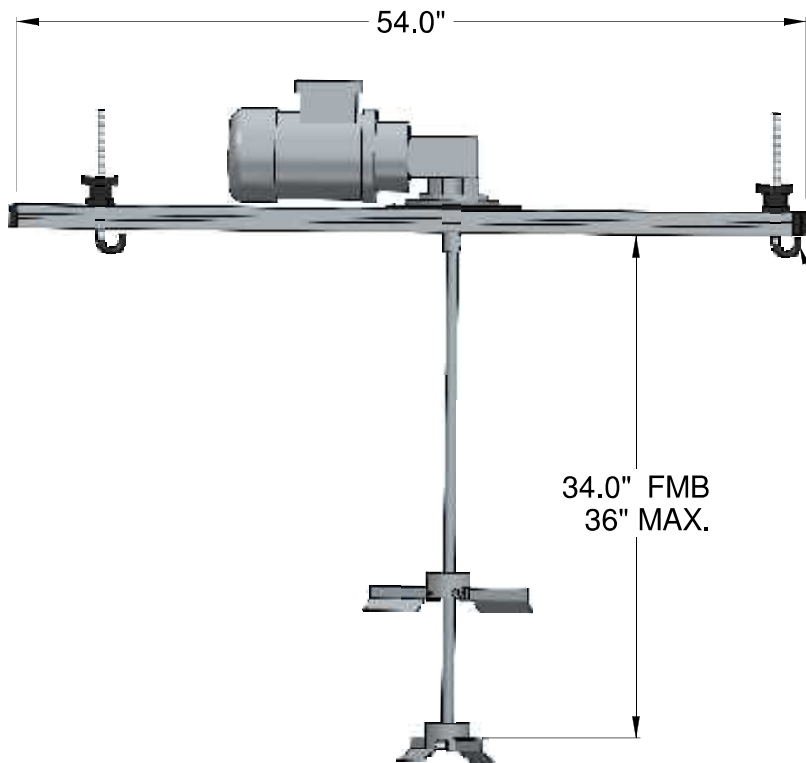
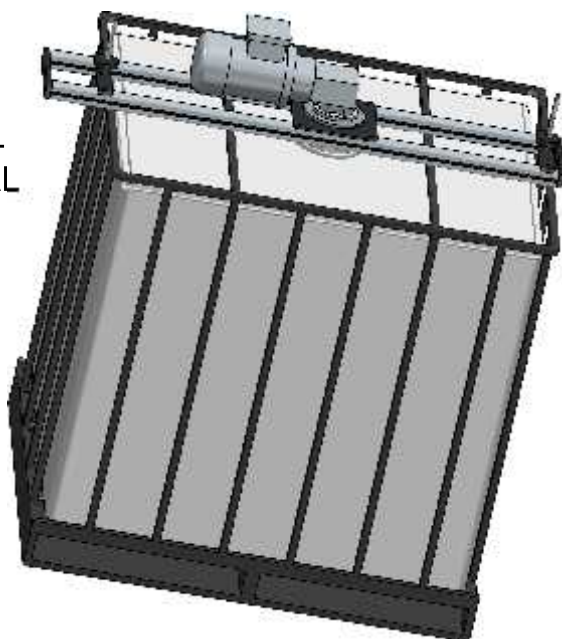


IBC TOTE-MIXER CONCEPT DRAWING




THREADED 'J' HOOK
TO LOCK DOWN BRIDGE
TO TOTE ON BOTH ENDS

OPTIONAL
275-300 GAL
TOTE



OPTIONS

- SANITARY MODELS & BIOPHARMA
- FORK TRUCK CHANNELS OR LIFT LUGS ON BRIDGE
- TOTE CAP MOUNT DIRECT DRIVE MIXERS
- VARIABLE SPEED CONTROLLERS, WIRED AND MOUNTED

CUSTOMER:			 WWW.WMPROCESS.COM
LOCATION:			
PRODUCT:	PRESSURE:		
TEMP:	SPEED:		
	SIZE	SERIAL NO.	DWG NO.
			TOTE BRIDGE MIXER OPTIONS