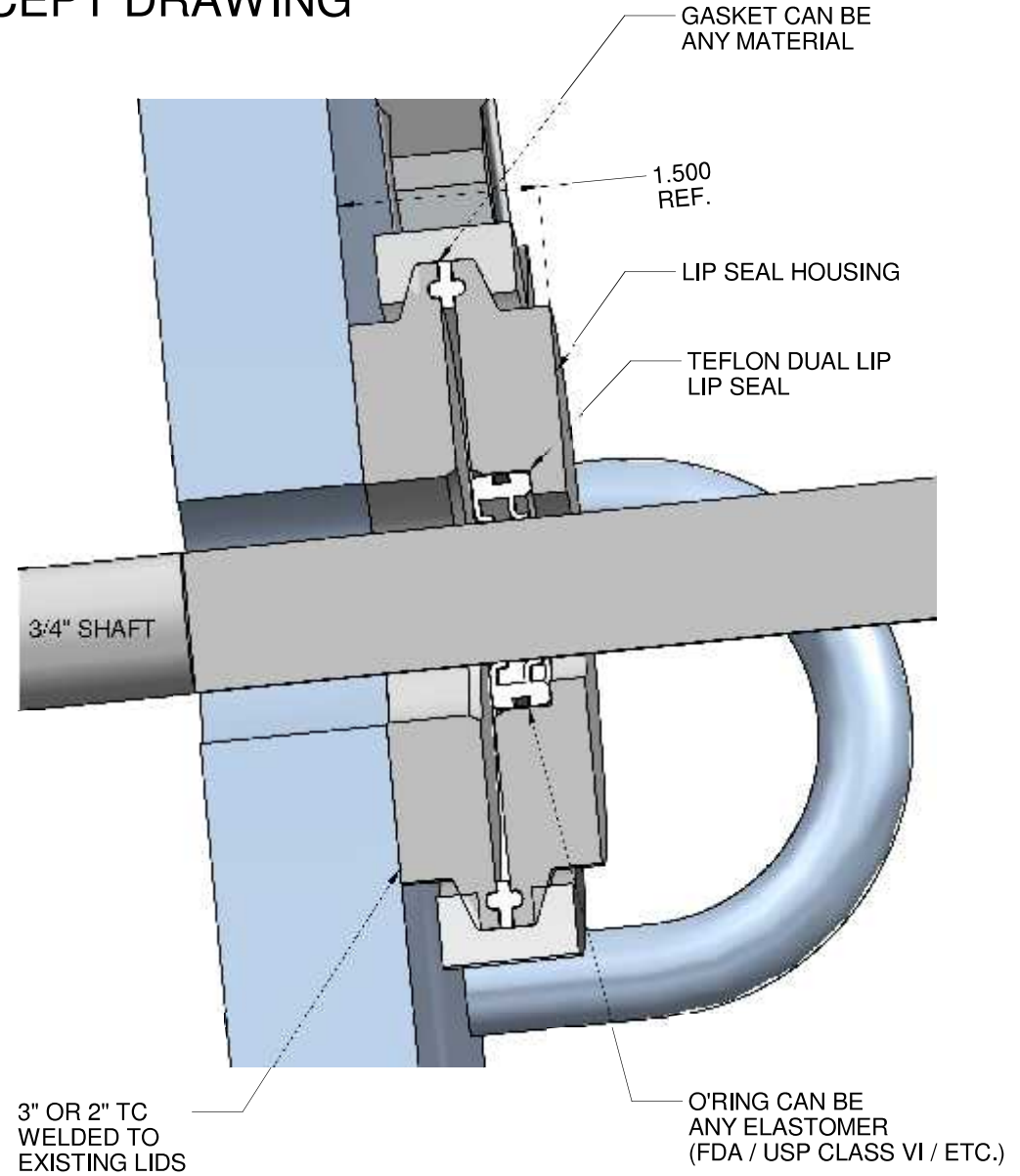
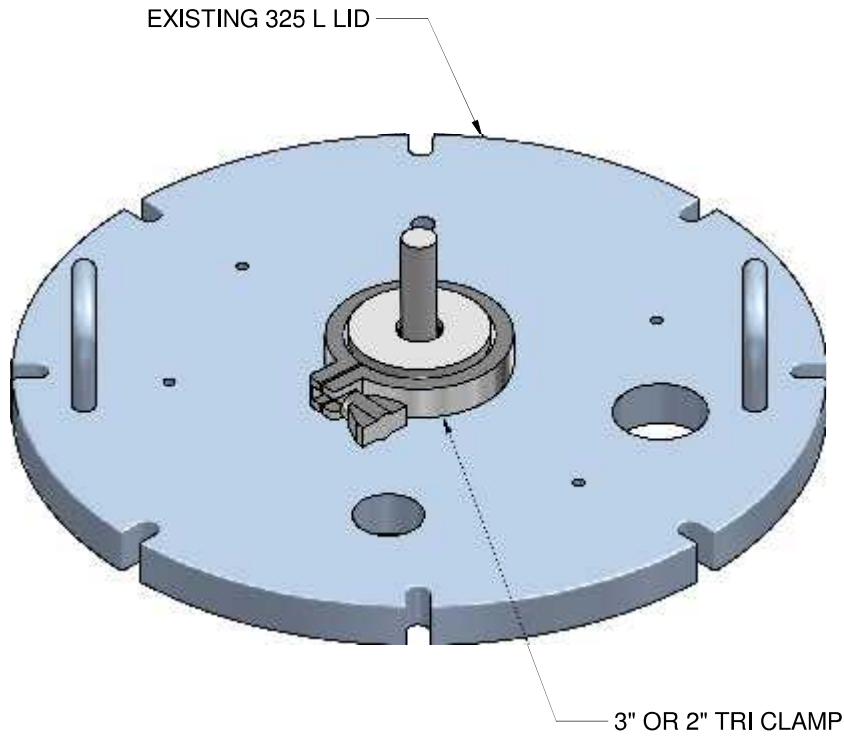


# LIP SEAL CONCEPT DRAWING



	CUSTOMER:	
	LOCATION:	
	PRODUCT:	PRESSURE:
	TEMP:	SPEED:
	SIZE	SERIAL NO.



[WWW.WMPROCESS.COM](http://WWW.WMPROCESS.COM)

DWG NO.